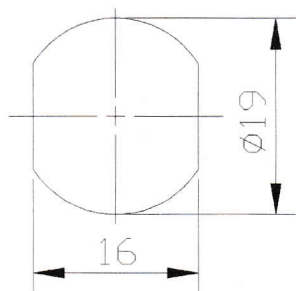


V、Two installation holes for choosing 鎖孔尺寸說明：鎖孔尺寸兩種可擇一使用：

1. Using the 3/4" X 27 housing nut to tighten. 使用3/4"x27牙鎖殼螺帽鎖固即可

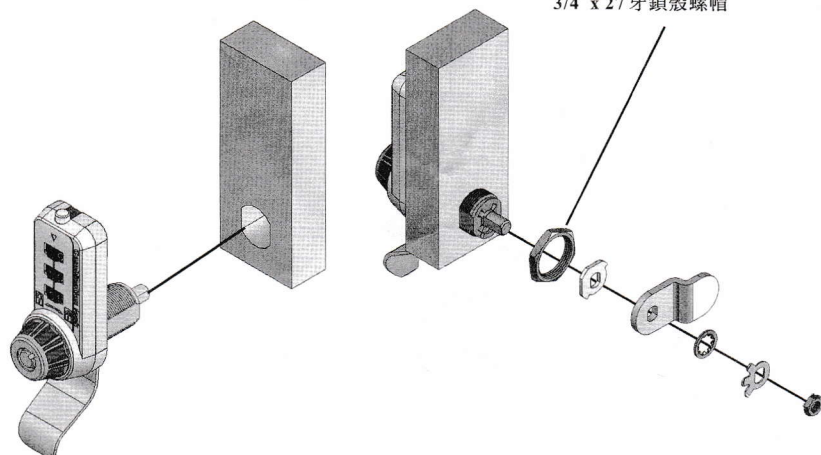
a. Installation hole diagram

門板挖孔尺寸圖



b. Assembly diagram

組裝示意圖

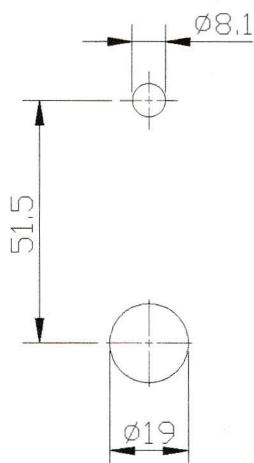


2. Using the 3/4" x 27 housing nut to tighten, please add one Φ 8x12 long fixed pillar to assist.

使用3/4"x27牙鎖殼螺帽鎖固；搭配一顆 Φ 8x12長的定位柱

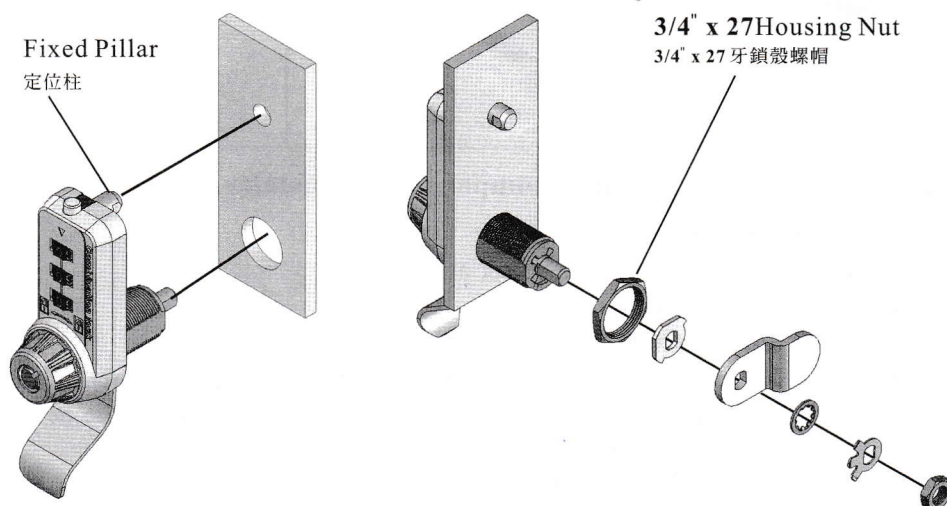
a. Installation hole diagram

門板挖孔尺寸圖



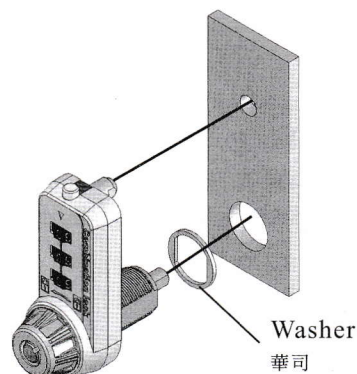
b. Assembly diagram

組裝示意圖



VI、When the finger pull is not installed, please add one flat washer to assist the lock to fix

不裝把手時，搭配一顆平華司



VII、Please note, before installing the cam, please turn the wheels to the correct combination code, and then tighten the cam by hex nut. Please comply with these steps when installing to ensure the internal components functions normally.”

NOTE: It may cause damages with incorrect installation.

請注意：在安裝舌片前，需將字輪號碼撥至“開啟”狀態再上緊螺帽，否則可能造成內部零件受損